

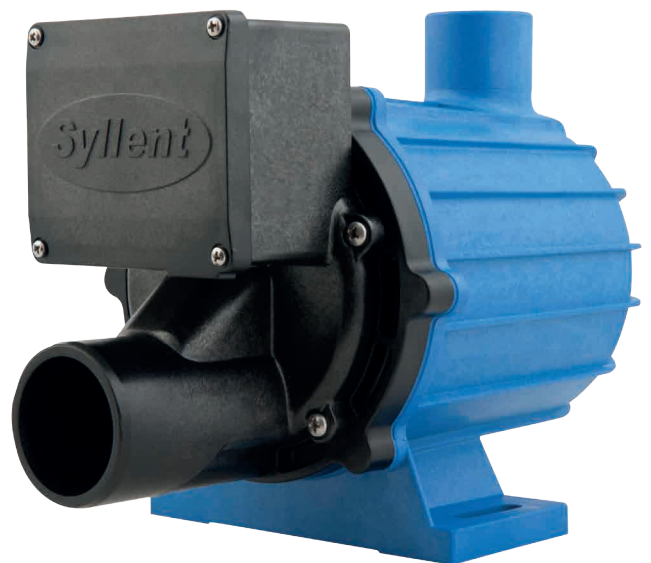


## Whirlpool Bath Pump

*The ultimate in peace and quiet.*



- **Ultra Quiet Operation** - less than 5dBA above ambient noise with no obtrusive harmonics or vibration.
- **Lightweight and compact design.**
- **Water cooled wet rotor technology with heat exchange** – helps to maintain water temperature without additional electrical circuitry.
- **Built in dry run protection with integrated load sensing switch.**
- **Electrically isolated-** composite construction.
- **Self draining.**

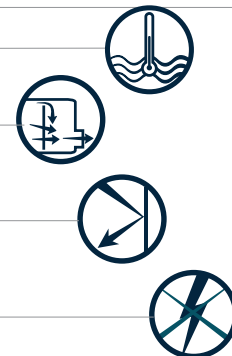


**Greener and Quieter.**  
\* Patented Technology.

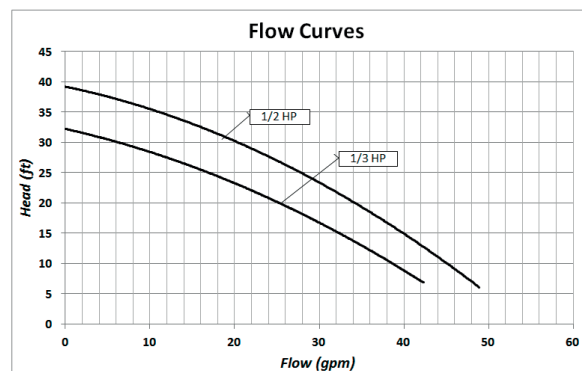


## TECHNICAL FEATURES

- Increases less than 5dBA (A) in the ambient noise
- Helps to keep the water temperature through heat exchange
- Centrifugal motor pump, one speed, self-draining
- Single phase motor with permanent capacitor – single voltage (115V) – 60Hz ou (230V) - 60Hz
- Shielded-totally protected against dust and water-resistant
- Thermally protected with a bi-metallic thermostat, automatically turns the motor pump off if it overheats
- Priming sensor: it turns the motor pump off automatically in case of lack of water, rotor blocking or overheating. In these cases, in order to restart the operation, it is necessary to disconnect the motor pump from the power supply (manual reset)  
P.s.: Optional model without the "Priming Sensor" = (...AP/UL)
- Electrically isolated and non corrodible – no water contact with electricity and metal components
- Rotor / turbine / conjugated hydro-magnetic bearings
- Resin capsulated wound stator
- No need of external ventilation – heat exchange per closed cycle with water providing full use of electrical energy
- No roller bearings and dynamic sealing of the mechanical seal type
- Power cord with internal ground wire and NEMA.
- Water operation temperature: 5°C to 45°C
- Discharge piping: 1,9" (inches) internally (Weldable)
- Suction piping: 1,9" (inches) internally (Weldable)
- Ambient temperature (place where the motor pump is installed): 5°C to 50°C
- Maximum pressure at the suction: 26' (feet)
- Self draining



MODEL - 60 Hz	VOLTAGE (V)	ELETRIC FEATURES				P.F. Average (cos $\phi$ )
		POWER (HP)	CURRENT (A)	COMSUMPTION Average (W)		
MB63E0111AS/UL	115	1/3	4,6	550	0,99	
MB63E0112AS/UL	115	1/2	5,6	680	0,99	
MB63E0114AS/UL	230	1/3	2,4	550	0,99	
MB63E0115AS/UL	230	1/2	3,1	680	0,98	



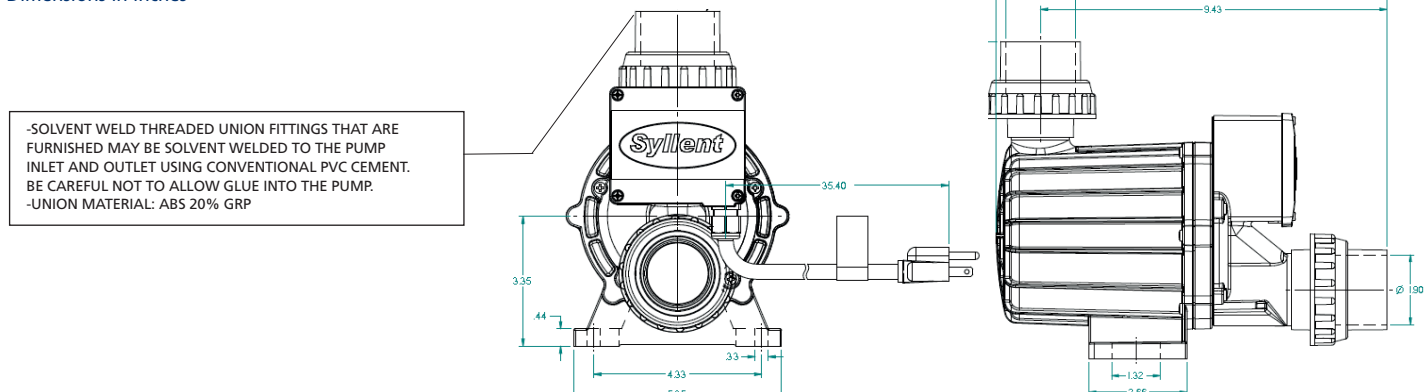
HYDRAULIC CHARACTERISTICS*													
MODEL - 60 Hz		POWER		PIPING		TOTAL MANOMETRIC HEIGHT (FT)						WEIGHT (lb)	
115V	230V	(HP)	MAX. (FT)	SUCTION (inch)	DISCHARGE (inch)	FLOW (gpm)							
MB63E0111AS/UL	MB63E0114AS/UL	1/3	30,2	1,97 ext/1,57 int	1,57 ext/1,26 int	42,3	35,9	25,62	13,2	0,0	0,0	0,0	8,46
MB63E0112AS/UL	MB63E0115AS/UL	1/2	38,4	1,97 ext/1,57 int	1,57 ext/1,26 int	48,9	41,2	35,9	24,6	12,5	0,0	0,0	9,39

\*Valid at sea level (20°C), 0 suction (ft), friction losses not included.

For the option without Priming Sensor the product code change  
Note E.g.: MB63E0111AP/UL - Model 1/3HP - 115V/60Hz (without Priming Sensor)

## Dimensional Features:

Dimensions in inches



Eberle Equipamentos e Processos S.A.  
Ana Catharina Canalli 1101 – 95059-520- Caxias do Sul – RS- Brazil  
Phone: (55) (54) 3218-5555 Fax: (54) 3218-5565  
www.syllent.com.br

